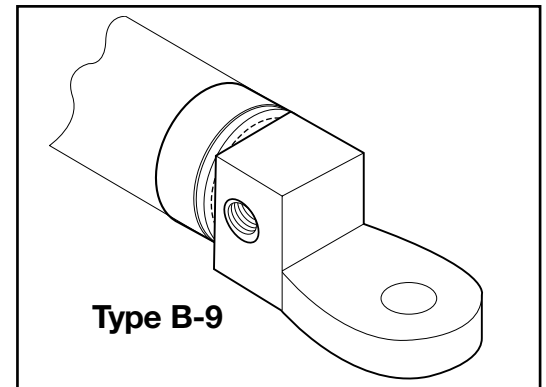
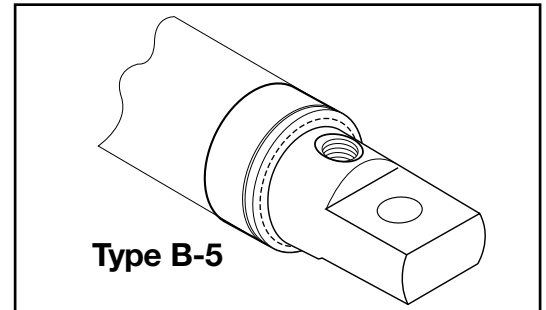
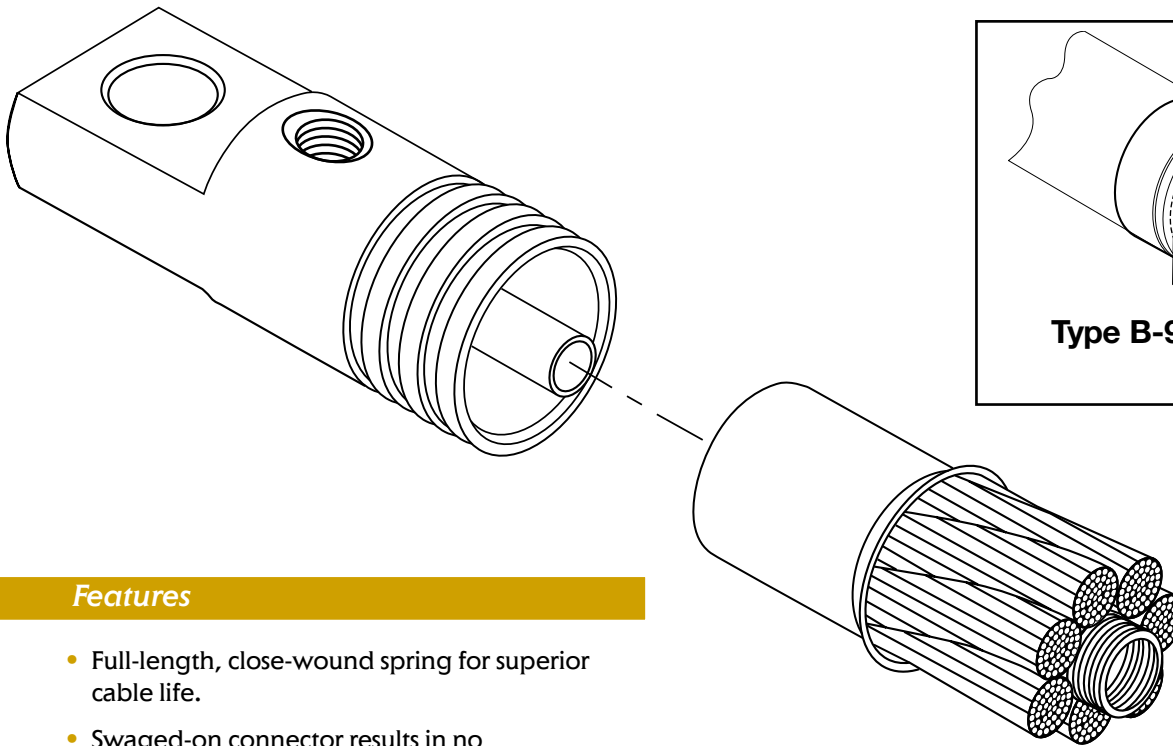


Jumpers For Robotic Applications

Today's automotive industry has increased the usage of water cooled jumpers for robotic spot-welding applications. Severe twisting and bending during this type of application can greatly decrease the life expectancy of a cable. Watteredge has provided a solution to this problem by swaging a cylindrical connector over the copper stranding.



Features

- Full-length, close-wound spring for superior cable life.
- Swaged-on connector results in no solder wicking.
- Featured twist construction results in less wire fatigue

How to Order

The length is measured from the bolt hole centers at each end of the cable on straight or offset terminals. It is measured from the extreme ends of 90° or threaded terminals. On terminals with two holes, measure from the centers of the outer holes. The information to the right should be provided.

Example

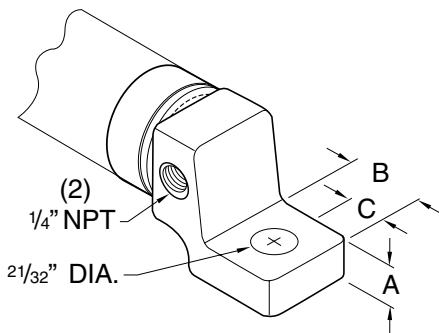
| Type | M.C.M. Size | Length | Terminals | |
|------|------------------|--------|-----------|-----------|
| | | | 1st End | 2nd End |
| WJ | 5C or 500 M.C.M. | 24" | B | B4 (1/2") |

[Example: WJ 5C 24" B - B4 (1/2")]

WATER COOLED CABLES

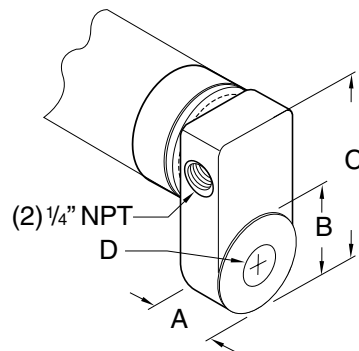
Terminal Types

Every Watteredge water cooled jumper comes equipped with full-length filter tubes that insure free-flow water passage throughout the entire system. Extreme bending or kinking of the cable will not reduce the water flow.



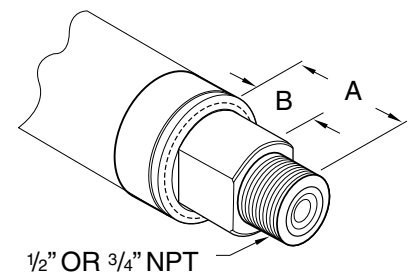
TYPE B

| MCM | A | B | C |
|---------|-------|--------|--------|
| 350/400 | 9/16" | 15/16" | 9/16" |
| 500/600 | 9/16" | 15/16" | 5/8" |
| 750 | 5/8" | 13/8" | 11/16" |
| 1000 | 3/4" | 13/8" | 11/16" |



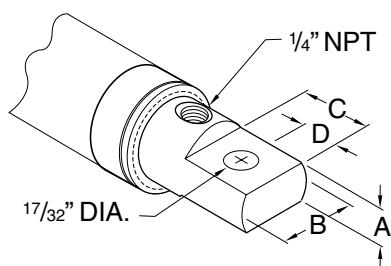
TYPE B-2

| MCM | A | B | C | D |
|---------|--------|--------|---------|--------|
| 350/400 | 11/16" | 17/16" | 2 1/16" | 17/32" |
| 500/600 | 13/16" | 15/8" | 27/8" | 17/32" |
| 750 | 13/16" | 15/8" | 3 1/8" | 21/32" |
| 1000 | 15/16" | 17/8" | 3 1/4" | 21/32" |



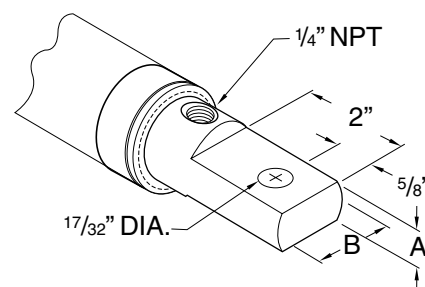
TYPE B-4

| MCM | A | B |
|---------|-------|---------|
| 350/400 | 13/8" | 5/8" |
| 500/600 | 13/4" | 15/16" |
| 750 | 17/8" | 1 1/16" |
| 1000 | 13/4" | 15/16" |



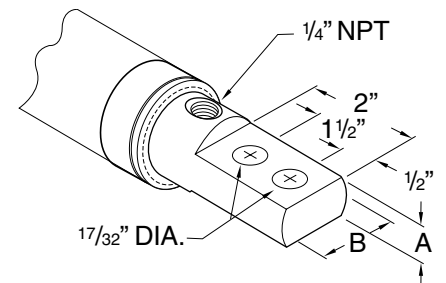
TYPE B-5

| MCM | A | B | C | D |
|---------|------|--------|--------|------|
| 350/400 | 5/8" | 1 1/8" | 1 1/4" | 1/2" |
| 500/600 | 5/8" | 1 1/4" | 1 3/8" | 5/8" |
| 750 | 5/8" | 1 3/8" | 1 3/8" | 5/8" |
| 1000 | 5/8" | 1 5/8" | 1 3/8" | 5/8" |



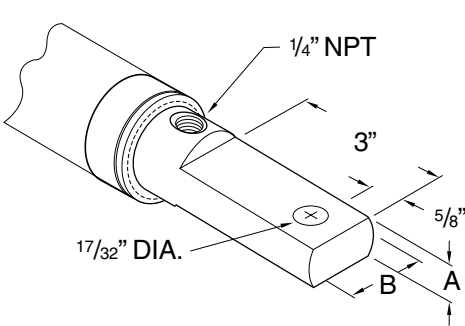
TYPE B-6

| MCM | A | B |
|---------|------|--------|
| 350/400 | 5/8" | 1 1/8" |
| 500/600 | 5/8" | 1 1/4" |
| 750 | 5/8" | 1 3/8" |
| 1000 | 5/8" | 1 5/8" |

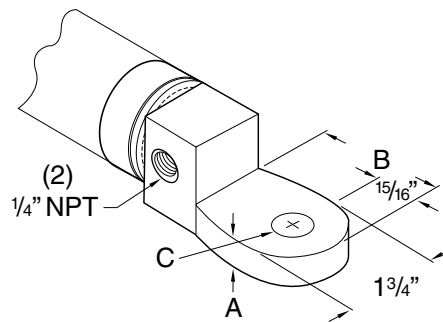


TYPE B-6 (2-HOLE)

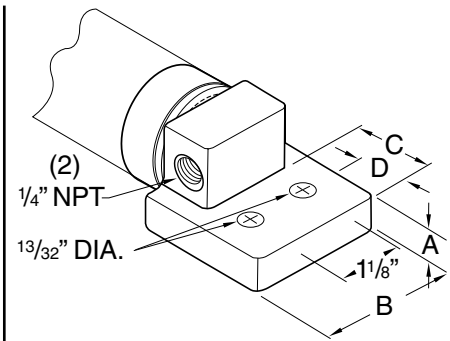
| MCM | A | B |
|---------|-------|--------|
| 350/400 | 9/16" | 1 1/8" |
| 500/600 | 5/8" | 1 1/4" |
| 750 | 5/8" | 1 3/8" |
| 1000 | 5/8" | 1 5/8" |

WATER COOLED CABLES
Terminal Types (continued)

TYPE B-7

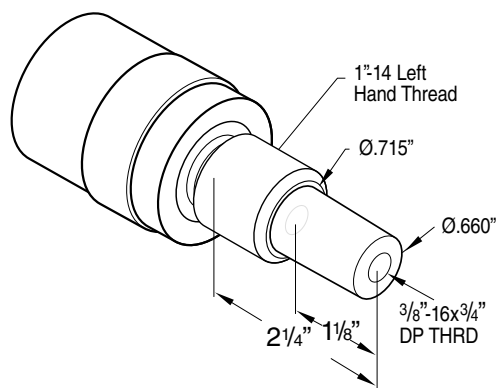
| MCM | A | B |
|---------|------|--------|
| 350/400 | 5/8" | 1 1/8" |
| 500/600 | 5/8" | 1 1/4" |
| 750 | 5/8" | 1 3/8" |
| 1000 | 5/8" | 1 5/8" |


TYPE B-9

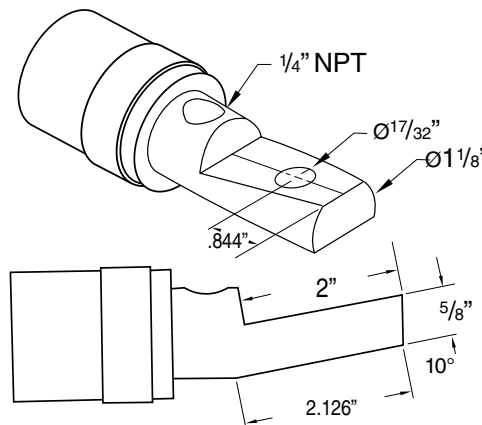
| MCM | A | B | C |
|---------|-------|---------|---------|
| 350/400 | 9/16" | 2 1/8" | 17/32" |
| 500/600 | 9/16" | 2 1/8" | 17/32" |
| 750 | 9/16" | 2 3/16" | 2 1/32" |
| 1000 | 5/8" | 2 1/8" | 2 1/32" |


TYPE B-11

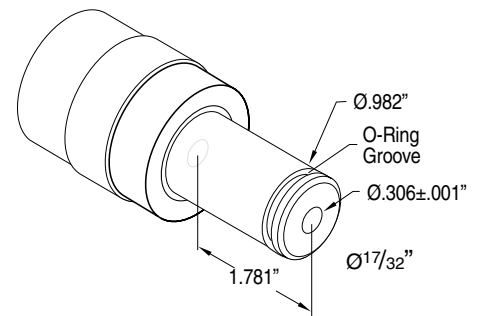
| MCM | A | B | C | D |
|---------|--------|--------|--------|-------|
| 350/400 | 3/8" | 2" | 1" | 9/16" |
| 500/600 | 3/8" | 2" | 1 1/8" | 9/16" |
| 750 | 5/8" | 2 1/2" | 1 1/2" | 7/8" |
| 1000 | 13/16" | 2 1/2" | 1 5/8" | 7/8" |


TYPE B-20
MCM

250 - 1000


TYPE B-21
MCM

250 - 1000


TYPE B-22
MCM

250 - 1000