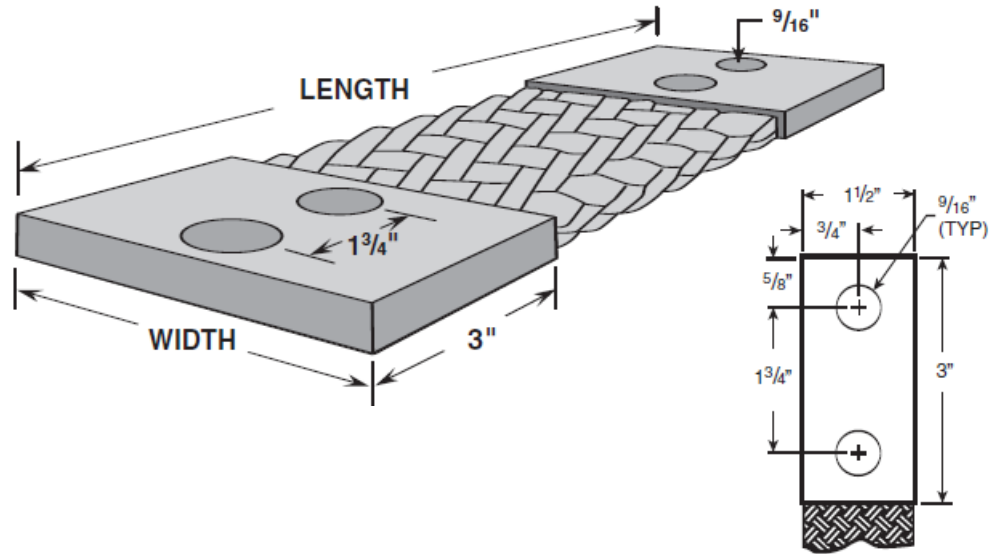


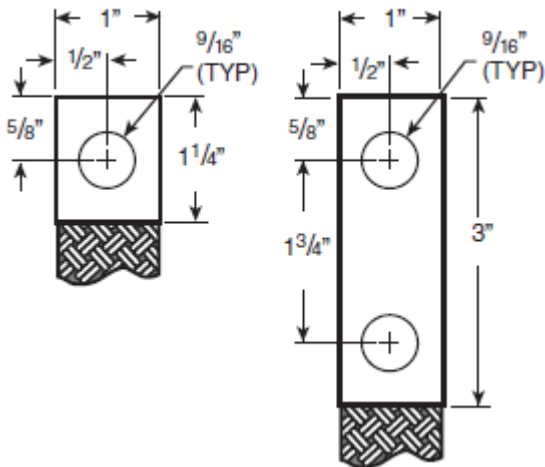
# Braided Flexible Connectors

## Technical Specifications - Standard Braids

Standard Braids are available in 1", 1 1/4", 1 3/8", 1 1/2", 2", 3", 4", 5" and 6" width. Drilling patterns are NEMA standards or per customer request. Ferrules are typically 3" long (Maximum is 5 7/8"). Braid can be bare or tin plated. Contact pads can be silver, tin or nickel plated. Current capacity to 3200 amps is available.



Current capacity is based on a single conductor in free air with a temperature rise of 30 degrees centigrade, or 50 degrees centigrade.



## 1 1/2" Wide Braided Connectors

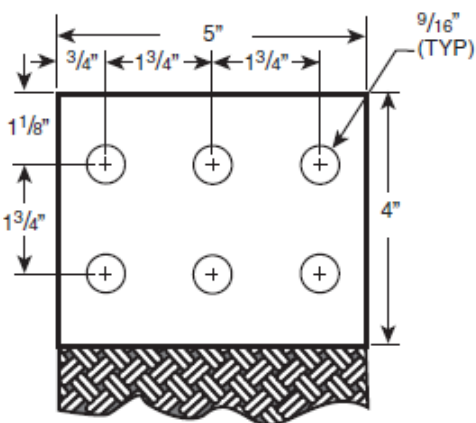
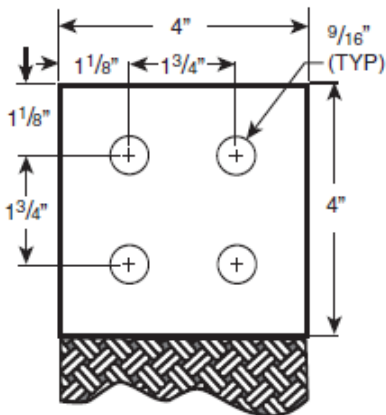
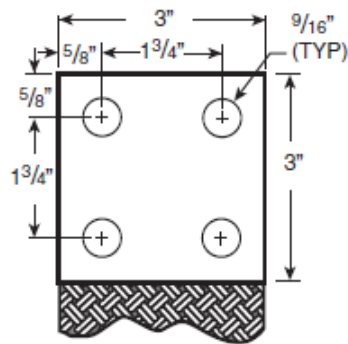
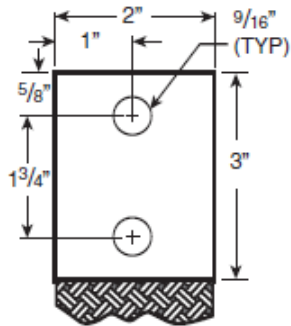
Part Number	Description MCM	Approx. Term. Thickness	Term. Width	Ampacity	
				30° C	50° C
240 - 1.5	105	.250"	1 1/2"	240	315
350 - 1.5	210	.270"	1 1/2"	350	460
450 - 1.5	315	.400"	1 1/2"	450	590
540 - 1.5	420	.450"	1 1/2"	540	710
625 - 1.5	525	.500"	1 1/2"	625	825
705 - 1.5	630	.560"	1 1/2"	705	930
785 - 1.5	735	.620"	1 1/2"	785	1035
865 - 1.5	840	.750"	1 1/2"	865	1140
945 - 1.5	945	.800"	1 1/2"	945	1245
1020 - 1.5	1050	.880"	1 1/2"	1020	1345
1095 - 1.5	1155	.950"	1 1/2"	1095	1445
1175 - 1.5	1260	1.00"	1 1/2"	1175	1550
1250 - 1.5	1365	1.00"	1 1/2"	1250	1650
1325 - 1.5	1470	1.125"	1 1/2"	1325	1745
1400 - 1.5	1575	1.250"	1 1/2"	1400	1845
1475 - 1.5	1680	1.280"	1 1/2"	1475	1945
1550 - 1.5	1785	1.350"	1 1/2"	1550	2045
1620 - 1.5	1890	1.460"	1 1/2"	1620	2140
1695 - 1.5	1995	1.54"	1 1/2"	1695	2235
1775 - 1.5	2100	1.62"	1 1/2"	1775	2340
1850 - 1.5	2440	1.7"	1 1/2"	1850	2440
1920 - 1.5	2310	1.78"	1 1/2"	1920	2535
2000 - 1.5	2415	1.86"	1 1/2"	2000	2640

## 1" Wide Braided Connectors

Part Number	Description MCM	Approx. Term. Thickness	Term. Width	Ampacity	
				30° C	50° C
180 - 1	84	.160"	1"	180	235
275 - 1	168	.190"	1"	275	360
350 - 1	252	.350"	1"	350	460
420 - 1	336	.390"	1"	420	550



# Braided Flexible Connectors (continued)



## 2" to 6" Wide Braided Connectors

Part Number	Description MCM	Approx. Term.	Term. Width	Ampacity	
				30° C	50° C
569 - 2	420	.375"	2"	569	755
724 - 2	630	.5	2"	724	961
866 - 2	840	.625"	2"	866	1149
1000 - 2	1050	.75"	2"	1000	1328
801 - 3	630	.375	3"	801	1062
1007 - 3	945	.5"	3"	1007	1337
1194 - 3	1260	.625	3"	1194	1584
1367 - 3	1575	.75	3"	1367	1814
1026 - 4	840	.375	4"	1026	1361
1284 - 4	1260	.5"	4"	1284	1703
1512 - 4	1680	.625"	4"	1512	2006
1724 - 4	2100	.75"	4"	1724	2286
1248 - 5	1050	.375"	5"	1248	1654
1554 - 5	1575	.5"	5"	1554	2061
1825 - 5	2100	.625"	5"	1825	2420
2073 - 5	2625	.75"	5"	2073	2749
1465 - 6	1260	.375"	6"	1465	1943
1821 - 6	1890	.5"	6"	1821	2414
2132 - 6	2520	.625"	6"	2132	2827
2417 - 6	3150	.75"	6"	2417	3204

