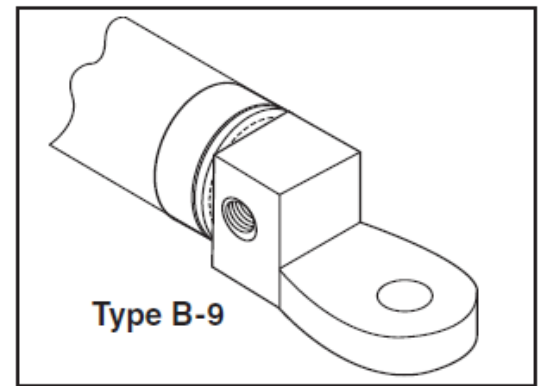
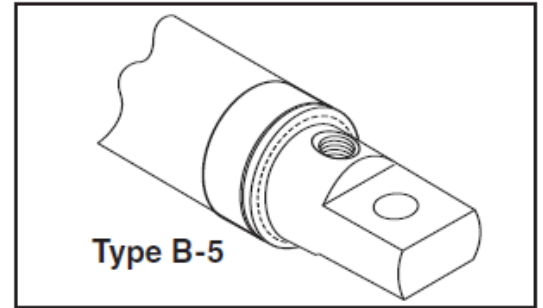
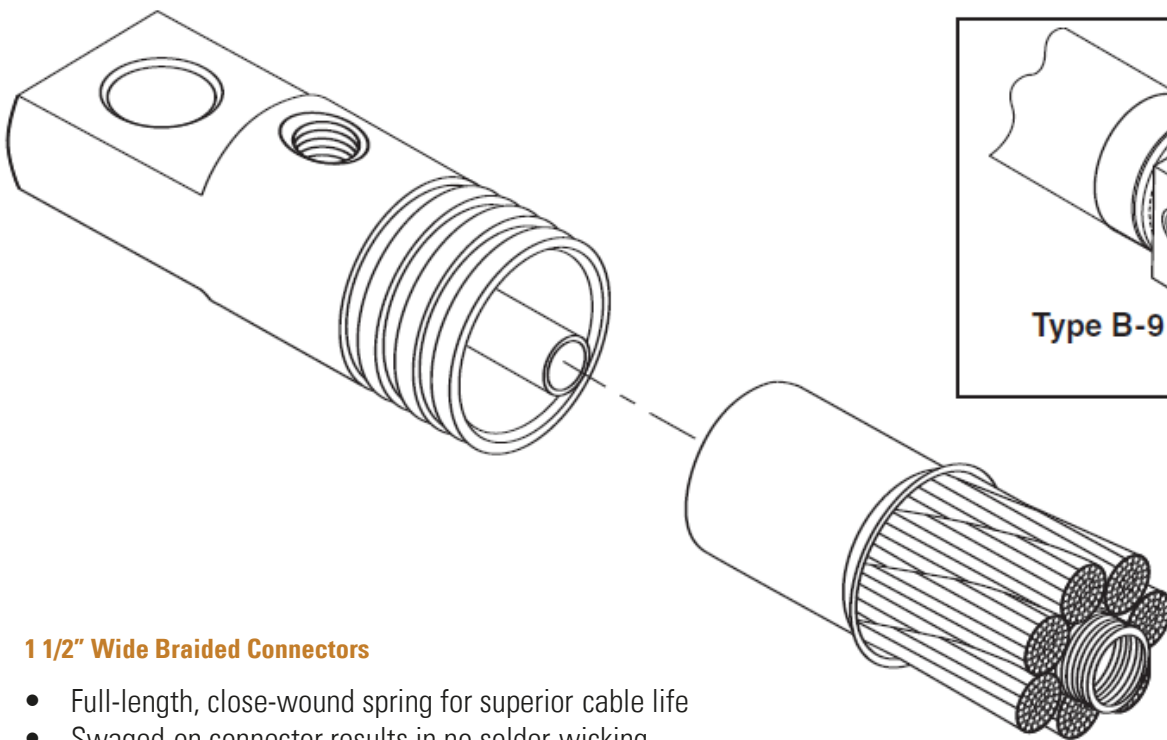


Water Cooled Cables

Jumpers For Robotic Applications

Today's automotive industry has increased the usage of water cooled jumpers for robotic spot-welding applications. Severe twisting and bending during this type of application can greatly decrease the life expectancy of a cable. Watteredge has provided a solution to this problem by swaging a cylindrical connector over the copper stranding.



1 1/2" Wide Braided Connectors

- Full-length, close-wound spring for superior cable life
- Swaged-on connector results in no solder wicking
- Featured twist construction results in less wire fatigue

Example				
Type	MCM Size	Length	Terminals	
			1st End	2nd End
WJ	5C or 500 MCM	24"	B	B4 (1/2")

[Example: WJ 5C 24" B - B4 (1/2")]

How to Order

The length is measured from the bolt hole centers at each end of the cable on straight or offset terminals. It is measured from the extreme ends of 90° or threaded terminals. On terminals with two holes, measure from the centers of the outer holes. The information to the right should be provided.

